



WORKSWELL GIS - 320

DRONE GAS IMAGING SYSTEM

Datasheet

Release date: 25th of September 2018

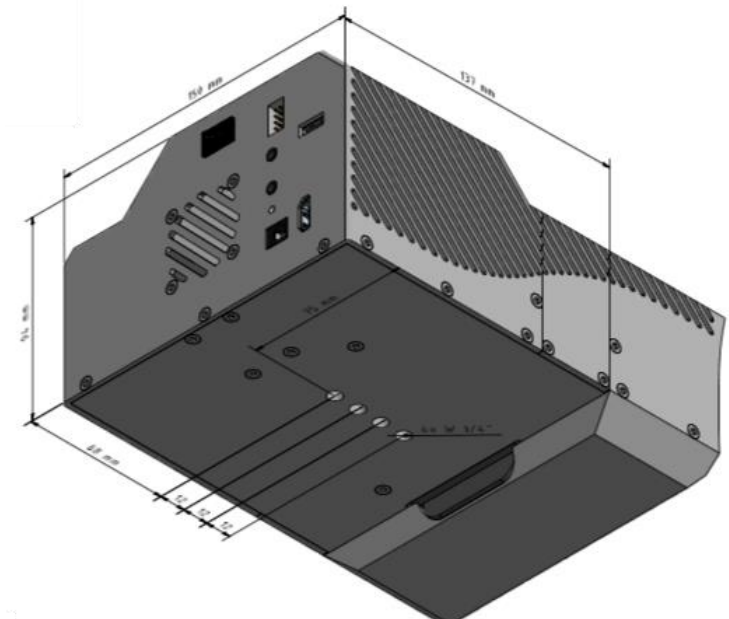
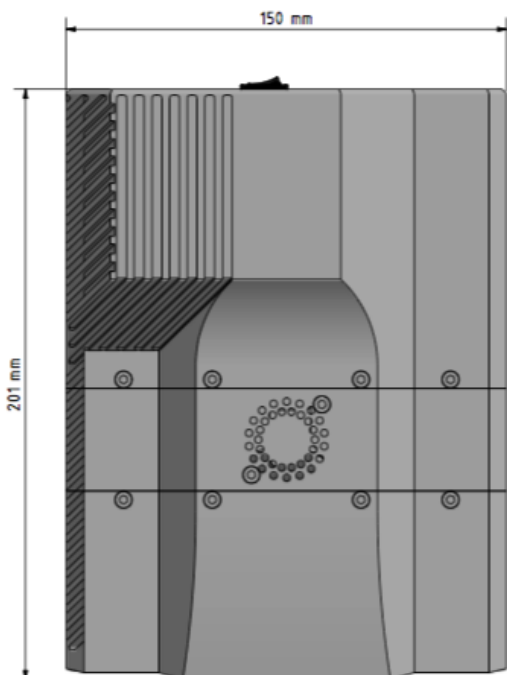
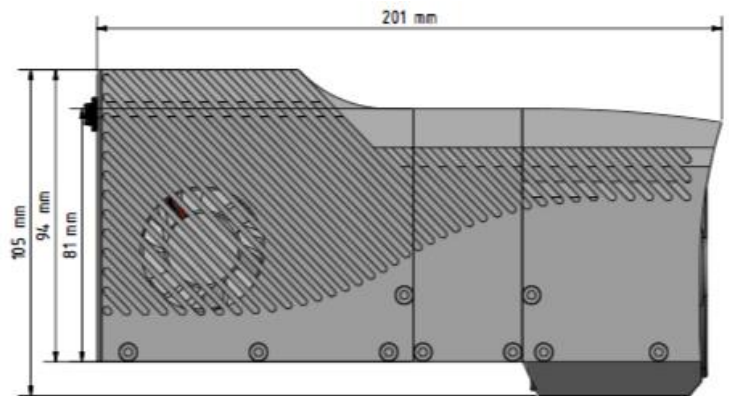
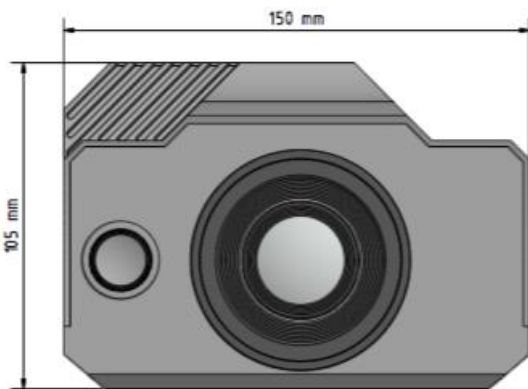
Revision Number: 1.1

Workswell GIS-320 technical specification

Infrared Cooled Camera (MWIR)	
Resolution	320 x 240 pixels
Temperature ranges	Optional temperature ranges between -20 °C...+350 °C
Temperature sensitivity	0.015 °C (15 mK)
Frequency	25Hz
Spectral range	3.2 – 3.4 μm, Cooled InSb FPA detector (MWIR)
Lens	24° x 18°
Focus	Automatic Motorized focusing, minimum focus distance 0.5 m
Zoom	Digital zoom 1 – 4x in infrared image
Special GAS detection mode	Yes
Temperature level adjustments	Yes, automatic, manual or moving span
Digital Visual Camera	
Resolution	1 920 x 1 080 pixels (Full HD)
Focus	Autofocus
Zoom	10x optical zoom with vibration compensation
Remote control & Video output	
Digital interfaces	S.BUS CAN bus (for DJI control and GPS coordinates) USB 2.0 (data transfer, video recording, FW update) MavLink
Video output	Digital HDMI 720p (1280 x 720px)
Memory and data recording	
Image recording (saving on internal memory or directly to Flash drive)	Radiometric JPEG Radiometric TIFF (Pix4D compatible) Non-Radiometric Digital camera JPEG Full HD
Video recording (IR)	Radiometric full-frame IR recording, 30Hz (raw data recording)
GPS tagging	MavLink External GPS A2 or A3 DJI compatible via CAN bus interface
Memory	Internal disk (only for image recording) Direct saving to Flash drive (for images and videos)



Temperature Measurement functions	
Measurement functions	Max temperature, Min temperature, Centre temperature
File format	Saved in radiometric (raw) format in JPEG or TIFF
Following gases are detected	
Gases	Benzene, Ethanol, Ethyl-benzene, Heptane, Hexane, Isoprene, Methanol, MEK, MIBK, Octane, Pentane, 1-Pentene, Toluene, m-xylene, Butane, Methane, Propane, Ethylene and Propylene.
Environmental data, Power supply & dimensions	
Input supply voltage	10 – 28 VDC, consumption 18 W (starting consumption 21.5 W)
Operating temperature	-20°C to +50°C
IP protection	IP40
Dimensions and weight	201 x 150 x 105 mm, <1.6kg



Workswell GIS-320 2nd Gen





Contacts

Sales Department

Mobile: +420 725 955 464

E-mail: sales@workswell.eu

Company contact details

Mobile: +420 725 877 063

E-mail: info@workswell.eu

Web: www.workswell.eu

Headquarters

Workswell s.r.o.

U Albrechtova vrchu 12

155 00, Prague 13

Czech Republic

Partners Worldwide

Visit our [partner list online](#)

